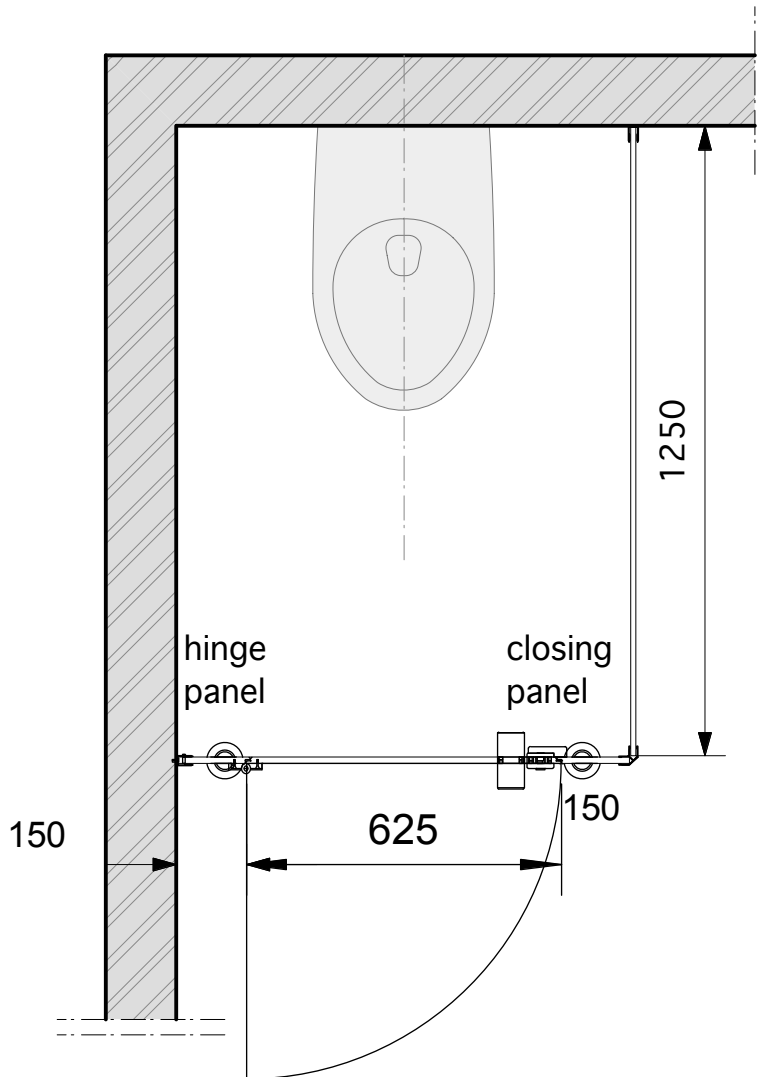
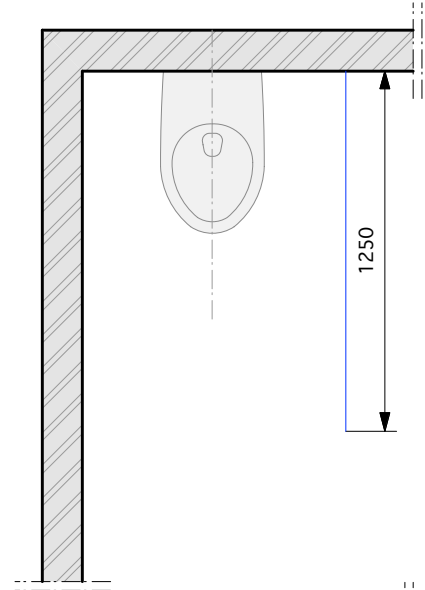


# Installation instructions ASI Alpaco CLASSIC

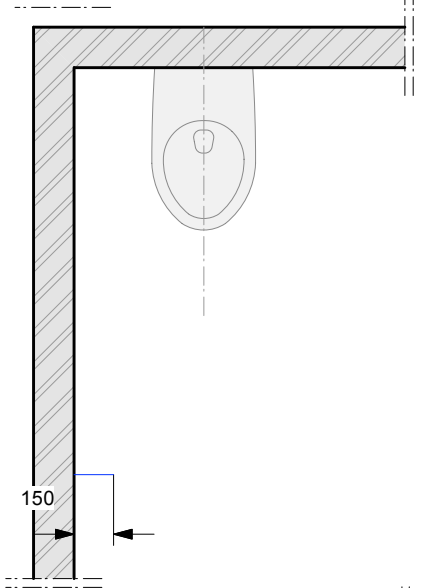
Example: a classic cubicle in a corner



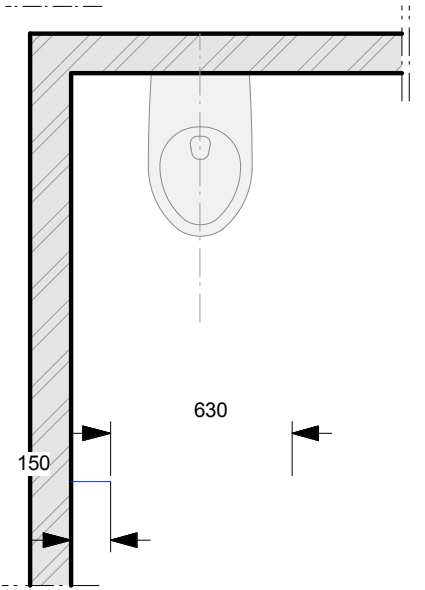
**Installation instructions for a classic cubicle in a corner.**



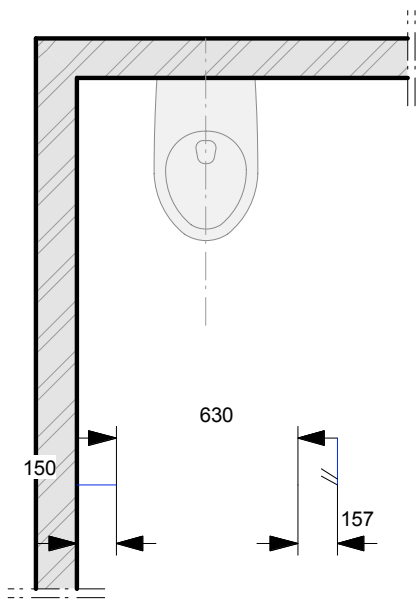
1. Measure the depth of the side division from the rear wall to the front of the cubicle, this to install the pilasters correctly and draw a line on the floor.



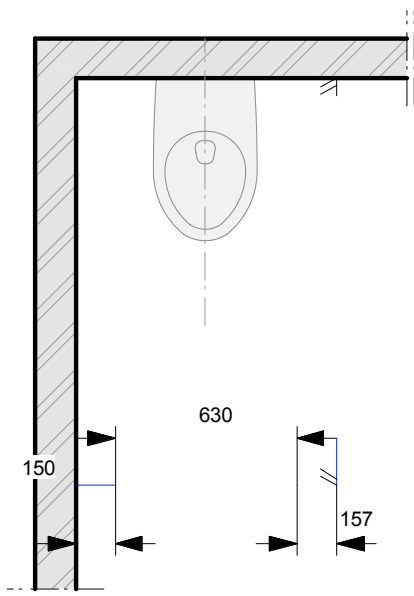
2.a) Now measure the first pilaster based on the installation drawing. Start on the left side with 150 mm and draw a line on the floor.



b) Indicate the door size from the previous line. Door 625 + 5 mm margin = 630 mm and draw another line.

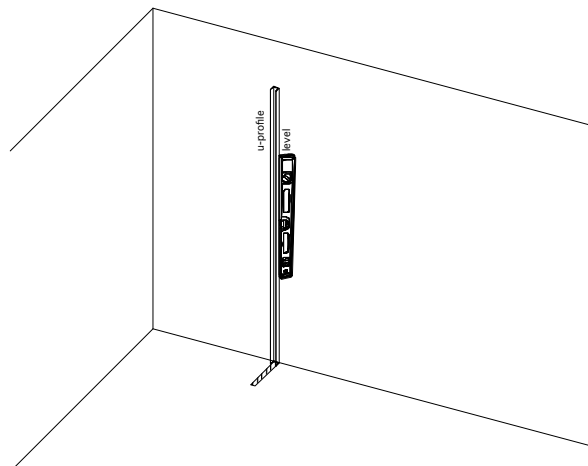


c) Then measure the last pilaster and indicate it on the floor starting from the last line. Pilaster  $150 \text{ mm} + 7 \text{ mm} = 157 \text{ mm}$  (this to get the outside of the corner L-profile), draw a line + 2 diagonal stripes; this indicates the outside of the corner L- profile.

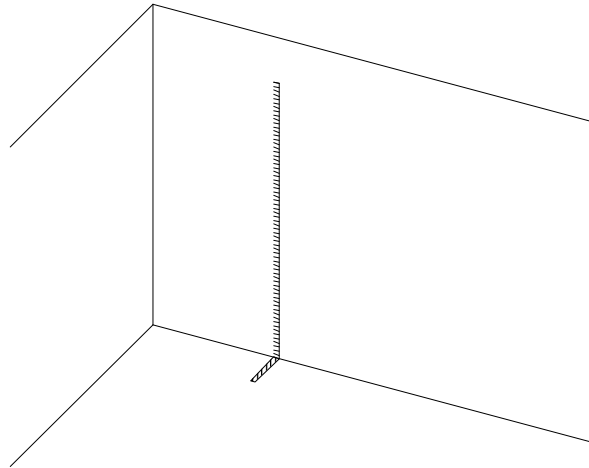


d) Transfer this last line back to the rear wall, parallel with the joints of the floor tiles (see illustration). This line is the outside of the rear wall U-profile.

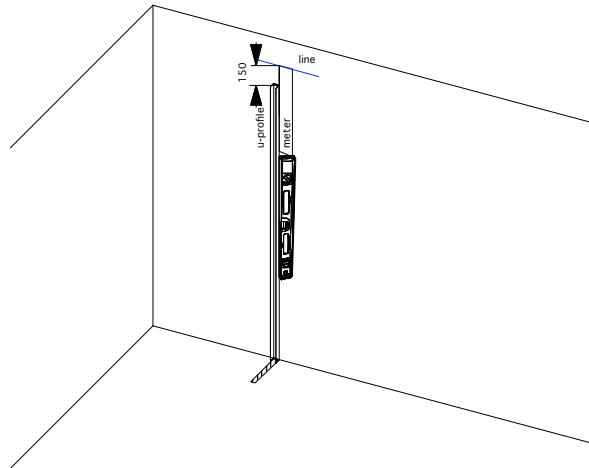
3. a) Now, put a U-profile against the rear wall and draw a line on the outside of the U-profile once you've leveled it vertically (see illustration)



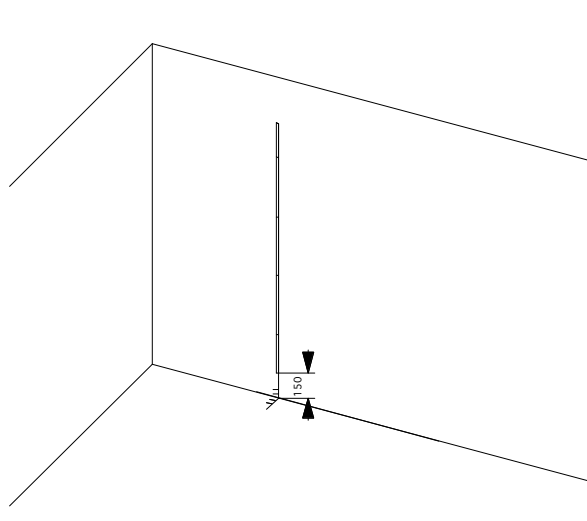
- b) Draw small diagonal stripes against the drawn line (see illustration), so you are always aware on which side you have to place the U-profile.



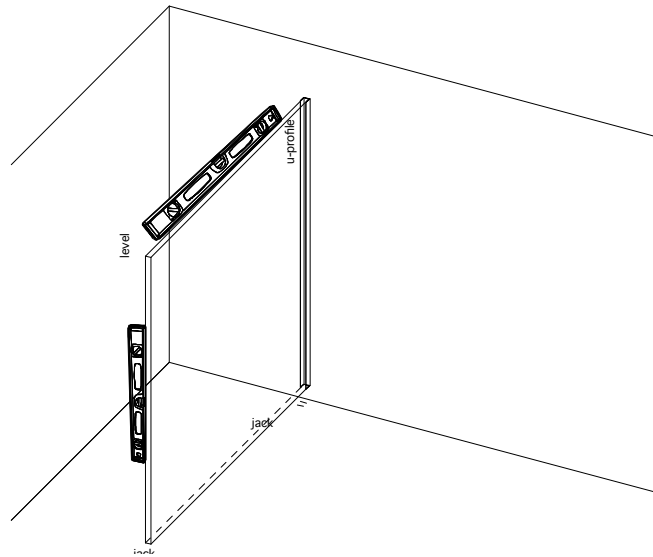
- c) Now, put this profile on the floor. Keep your meter next to it and draw a vertical line 150 mm above the floor (see illustration). Now you can put the U-profile next to the vertical line and put a short line on top of it. You also can indicate the fixing holes of the rear U-profile.



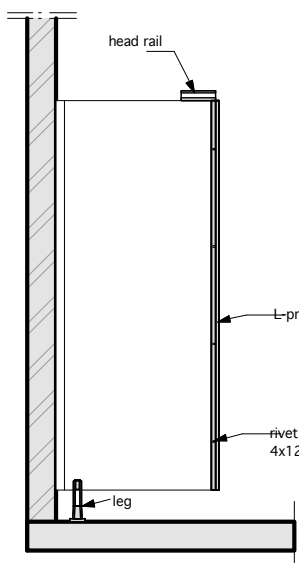
- d) You can drill the holes  $\varnothing 6$ . Insert the plugs and fix the profile, flush with the top line.



4. Now place the side division on top of 2 jacks. ( 1 in the front and 1 at the rear wall ) You get the correct height by placing a piece of the head rail on top of the side division and adjust with the jack, in such a way the head rail just touches the wall U-profile. Then you place the level against the front side of the division and level vertically with the front jack.

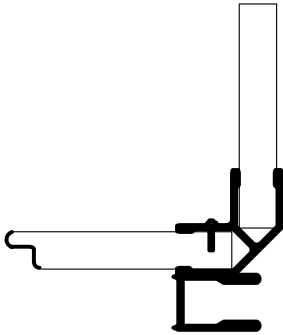


5. Now prepare your pilaster that connects to the side division. Place your pilaster on trestles and slide the corner L-profile on in the right direction. Put a piece of the head rail on the pilaster and put the L-profile against it. Drill your holes and fix with rivets  $\varnothing 4 \times 12$  mm and fix an adjustable leg to the pilaster if needed.

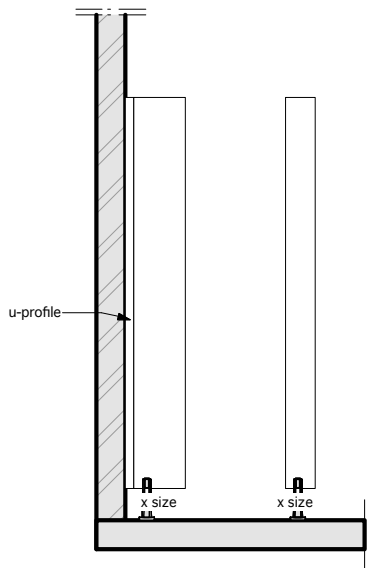


6. Now you can place the pilaster on the side division with the help of a small piece of the head rail. Press the head rail on the side division and slide the pilaster with L- profile against it, drill and rivet with  $\varnothing 4 \times 12$  mm. P.S. For this, you'll need assistance in the beginning.

- When this is done, you first have to check if your front pilaster is still level. Afterwards, you place a U-profile against the L-corner profile and draw a line on the floor with 2 diagonal stripes against it. This indicates the outside of the profile.

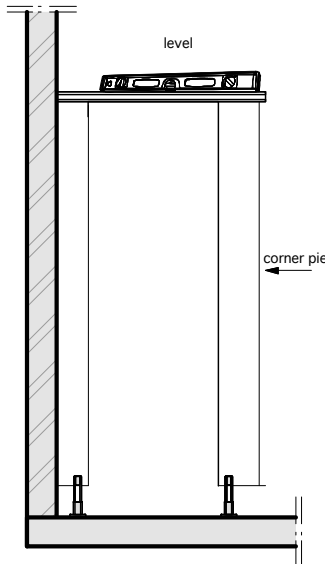


- Now, you transfer this line to the wall, parallel with the joints of the floor tiles. This will be the outside of the wall U-profile.



- Work as in point 3a and 3b.
- In order to know the provisional height of the U-profile, you will have to measure this on the L-corner profile.
- Next, drill the indicated holes and place the U-profile, but do not fix it tight.

12. Side division is still parallel with the line. Place the corner piece on the side division and pilaster. Place the level against the side of the division panel, level and measure from the wall to the beginning of the corner piece. Place the head rail on the front wall and leave it on the wall profile. Now place the level on the head rail. Lift the U-profile until the head rail is level and tighten all screws.



13. Now, slide the panel in the wall U-profile. Press the head rail against the wall U-profile, lift the pilaster up to the head rail and tighten the leg or jack (if there are no legs).

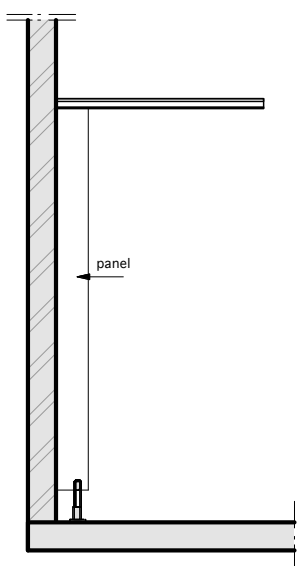
Now place the spacer.

Door 625 + 5 mm margin

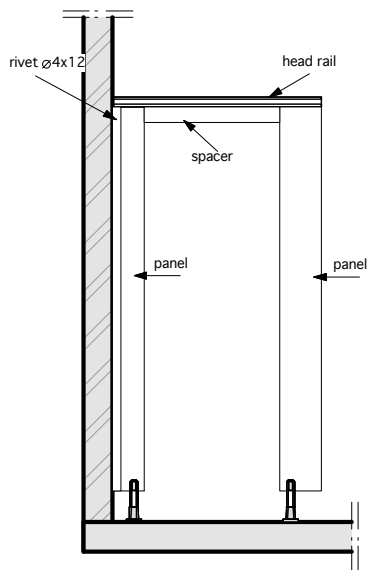
Spacer 610 mm long

Door 600 + 5 mm margin

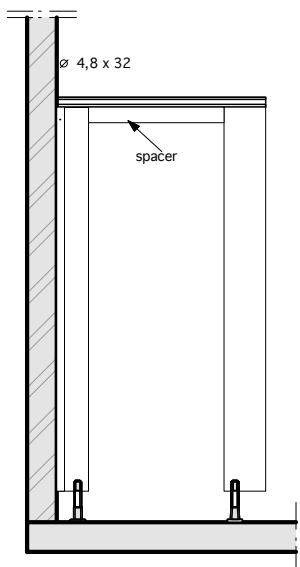
Spacer 585 mm long



14. Now push firmly against the side wall, so the head rail fits to the wall. Hold the spacer to the pilaster on the division panel and adjust the front pilaster in the wall U-profile. Drill a hole  $\varnothing 4$  on the inside and rivet.

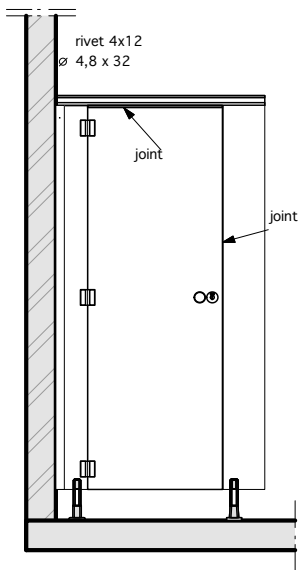


15. Then fix the head rail (see illustration). Drill 2 holes  $\varnothing 4$  per pilaster and fix with screws  $\varnothing 4,8 \times 32$ . Tighten only the first screw in the front pilaster next to the wall, in order to be able to adjust further.



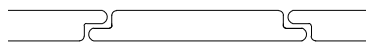
16. Fix the door and adjust the joints above and at the closing side. Adjust by pulling the small wall pilaster slightly out of the profile. When correctly positioned, rivet the wall U-profile and pilaster.



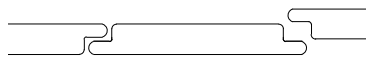


17. The door has to fit to the front pilaster both above and below, when this is the case, fix the legs (2 screws per leg) and rivet the side division at the rear wall.

right



wrong



18. Finally, tailor the head rail on the division panel and fix like the front head rail.

19. Remove the jacks

20. Clean cubicle and room